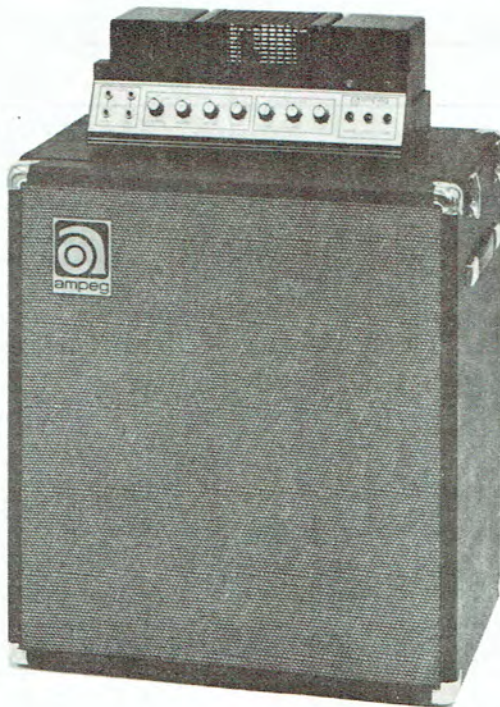


# B-15S



## AMPLIFIER PERFORMANCE

60 watts RMS (over 138 watts peak music power)

## AMPLIFIER FRONT PANEL

Channel 1: Two inputs bright and normal, volume, treble, bass and three position response selector switch bass, flat, guitar.

Channel 2: Two inputs bright and normal, volume, treble, bass.

Power and standby (with indicator lights) and polarity switches.

## AMPLIFIER REAR PANEL

Fuse post, external speaker jack, external amplifier jack, impedance selector switch, a.c. outlet, hum balance control.

## AMPLIFIER DIMENSIONS AND SHIPPING WEIGHT:

15 5/8" Wide  
23 7/8" Deep  
26" Tall

Weight - 105 lbs.

## SPEAKER SYSTEM

One 15" heavy duty speaker  
(15" Altec 421A or 418B optional)

NOTE: Dolly standard (shipped with amplifier)

TRADE NAME	Model No. B-15S
MANUFACTURER	AMPEG CO., Industrial Park, Linden, N.J.
TYPE SET	Bass Amplifier - Two Channels
TUBES	(2) 12AX7, (2) 7027A, (1) 12DW7, (1) 12AU7.
SOLID STATE COMPONENTS	(6) Silicon Diodes
POWER SUPPLY	120V A. C. 50/60 Hz, Rating 4 Amps.
POWER OUTPUT	60 Watts RMS 138 Watts Peak Music Power

## REPLACEMENT PARTS FOUND ON POWER P. C. BOARD

DESCRIPTION	STOCK NO.
Power P. C. Board Less Parts	64-60-076
Power P. C. Board With Parts	06465010
1 AMP 800 P.I.V. Silicon Diode	64100210
1 AMP 1000 P.I.V. Silicon Diode	64100180

RESISTORS				
CRKT SYMBOL NO.	OHM	WATTS	TOLERANCE	STOCK NO.
R37	1.5k	$\frac{1}{2}$	$\pm 10\%$	59100080
R52	2.2k	$\frac{1}{2}$	$\pm 10\%$	59100100
R4, R12, R20, R22, R34	3.3k	$\frac{1}{2}$	$\pm 10\%$	59100120
R43	4.7k	$\frac{1}{2}$	$\pm 10\%$	59100140
R8, R30, R32, R65	10k	$\frac{1}{2}$	$\pm 10\%$	59100180
R7, R31	100k	$\frac{1}{2}$	$\pm 10\%$	59100260
R54	120k	$\frac{1}{2}$	$\pm 10\%$	59100280
R6, R19	390k	$\frac{1}{2}$	$\pm 10\%$	59100320
R5, R13, R27, R36, R38	1m	$\frac{1}{2}$	$\pm 10\%$	59100340
R29, R39, R40	47k	1	$\pm 5\%$	59100520
R51	56k	$\frac{1}{2}$	$\pm 5\%$	59100680
R11, R21	150k	$\frac{1}{2}$	$\pm 10\%$	59100780
R33	220k	$\frac{1}{2}$	$\pm 10\%$	59100800
R25, R26	270k	$\frac{1}{2}$	$\pm 10\%$	59100900
R15	5.6m	$\frac{1}{2}$	$\pm 10\%$	59100940
R28	1k	$\frac{1}{2}$	$\pm 10\%$	59101030
R35	33	$\frac{1}{2}$	$\pm 10\%$	59101250
R14, R46, R47	47k	$\frac{1}{2}$	$\pm 10\%$	59101510
R48, R49	470	2	$\pm 10\%$	59101600
R9	1.5m	$\frac{1}{2}$	$\pm 10\%$	59101750
R10	1.2m	$\frac{1}{2}$	$\pm 10\%$	59101790
R44, R45	100k	$\frac{1}{2}$	$\pm 10\%$	59101800
R50	68k	$\frac{1}{2}$	$\pm 5\%$	59101840
R42	1m	$\frac{1}{2}$	$\pm 5\%$	59101950
R41	820k	$\frac{1}{2}$	$\pm 5\%$	59101960
R53, R55	4.7k	2	$\pm 10\%$	59102000
R56	1k	10	$\pm 10\%$	59300150

## CAPACITORS

CRKT SYMBOL NO.	MFD	VOLT	TYPE	STOCK NO.
C5, C8, C24	.0005		Ceramic Disc	12100650
C12	6.8	20v	Tantalytic	12400160
C25, C33	10	100v	Electrolytic	12401480
C26	.047	600v	Flat Foil	12700400
C2, C14, C16, C17, C22	.1	400v	Flat Foil	12700650
C19	.47	400v	Flat Foil	12700900
C18, C20	.01	400v	Flat Foil	12701250
C4	.1	250v	Flat Foil	12701350
C21, C23	.33	400v	Flat Foil	12701360
C3, C11	.33	250v	Flat Foil	12701400
C6, C7, C9	.0047	250v	Flat Foil	12701430
C10, C13	.015	400v	Flat Foil	12701440

## POWER TRANSFORMER

RATING AT FULL POWER				STOCK NO.
PRIMARY I	PRIMARY II	SECONDARY I	SECONDARY II	
120v	120v	594v at .15 Amp.	6.3v at 4 Amps	89300760

## AUDIO OUTPUT TRANSFORMER

IMPEDANCE		D. C. RESISTANCE		STOCK NO.
PRIMARY	SECONDARY	PRIMARY	SECONDARY	
6k P.P.	2-4-8 Ohms	300 Ohms	Red/Wht-2 Ohms-.175 Ohms Yellow -4 Ohms-.268 Ohms White -8 Ohms-.418 Ohms	89500290

## SPEAKER

RATING				STOCK NO.
MFG. NO.	SIZE	FIELD	V.C. IMPEDANCE	
CTS #5815121	15"	P.M.	8 Ohms	69300090

## REPLACEMENT PARTS FOUND ON TONE CONTROL P. C. BOARDS

DESCRIPTION	STOCK NO.
Tone Control P. C. Board Less Parts	64600550
Tone Control P. C. Board With Parts	06443060
P.E.C. Unit	64700000

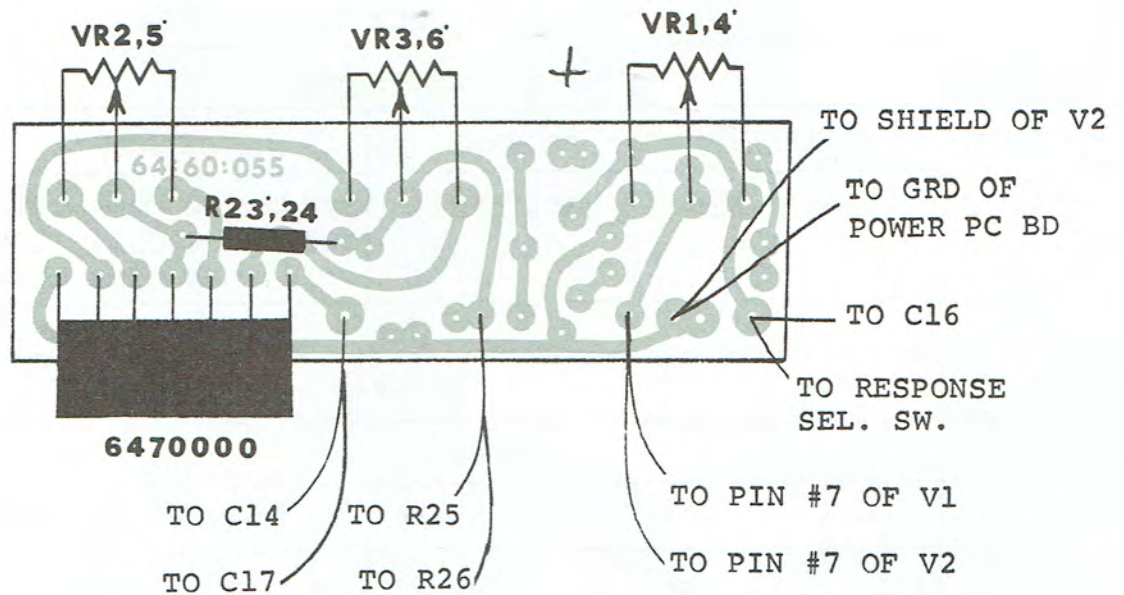
## RESISTORS

CRKT SYMBOL NO.	OHM	WATTS	TOLERANCE	STOCK NO.
R23, R24*	120k	$\frac{1}{2}$	$\pm 10\%$	59100280

## CONTROLS

CRKT SYMBOL NO.	RESISTANCE	TYPE	WATTS	USE	STOCK NO.
VR1, VR4*	1m	Lin/Spec. D	$\frac{1}{2}$	Volume	24101170
VR2, VR3, VR5*, VR6*	1m	Log	$\frac{1}{2}$	Treble & Bass	24100120

## COPPER SIDE VIEW



\* PARTS DESIGNATED BY AN ASTERISK ARE ON CHANNEL TWO TONE P.C. BOARDS.

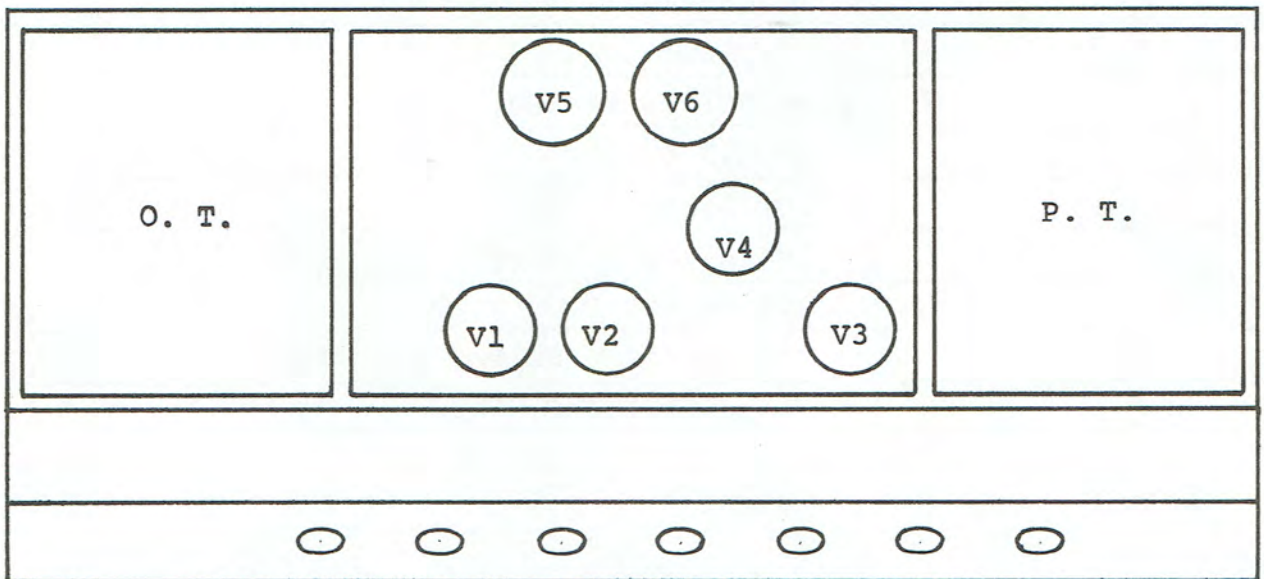
## MISCELLANEOUS ELECTRONIC PARTS

CRKT SYMBOL NO.	DESCRIPTION	STOCK NO.
C1, C15	.005 MFD Ceramic Disc Capacitor	12100800
C27, C29	2x20 MFD/450v Electrolytic Capacitor	12400800
C28	3x40 MFD/500v Electrolytic Capacitor	12400070
C30, C31	2x20x40 MFD/450v Electrolytic Capacitor	12400900
C32	.047 MFD/600v U.L. Type Molded Capacitor	12701390
J1, J3	Jack #2S-1754	38300220
J2, J4	Jack #L12A	38300210
J5, J6	Jack #2S-1663	38300030
R1, R17, R60	100k $\pm 10\%$ $\frac{1}{2}$ w Resistor	59100260
R2, R16	47k $\pm 10\%$ $\frac{1}{2}$ w Resistor	59101510
R3, 18, 61, 62, 63, 64	5.6m $\pm 10\%$ $\frac{1}{2}$ w Resistor	59100940
R57, R58	100k $\pm 10\%$ 2w Resistor	59100170
SW1	Response Selector Switch	24300930
SW2	Impedance Selector Switch	24300860
SW3, SW5	Power & Standby Switch - Bat Handle	24300890
SW4	Polarity Switch - Bat Handle	24300910
VR7	Hum Control 100 Ohms W.W.	24101160
	Speaker Connector (on Head) A4F	38120150
	Speaker Connector (on Cabinet) C4M	38120180
	A. C. Outlet	38120270
	A. C. Line Cord	97200040
	Fuse Holder #341001	38240900
	Fuse MTH 4 Amps	38240040
	Pilot Light - Red	38450280
	Pilot Light - Amber	38450290
	9 Pin Socket P.C. Type	38630320
	9 Pin Socket w/Shield P.C. Type	38630470
	8 Pin Socket P.C. Type	38630260

MISCELLANEOUS NON-ELECTRONIC PARTS

DESCRIPTION	STOCK NO.
Tube Cage	06431100
Knob for Dolly	38150210
Black Knob	38150260
Corner 2 Tab	38180020
Corner 3 Tab	38180030
Handle	38270130
Overlay Panel	38420700
Strain Relief 6W1	38780020
Terminal Strip	38810240
Logo	40300070

TUBE LOCATION LAYOUT CHART



## A.C. VOLTAGE READINGS

INPUT: 0.3v A.C. at 400 Hz

OUTPUT: 6.325v at 2 Ohms 3/4 Output Power  
 8.95 v at 4 Ohms 3/4 Output Power  
 12.65 v at 8 Ohms 3/4 Output Power

(TREBLE AND BASS CONTROLS SET AT MID-POSITION)

CRKT SYMBOL NO.	PIN NO.								
	1	2	3	4	5	6	7	8	9
V1 12AX7	10v	.3		Fil	Fil	5.8	.5		Fil
V2 12AX7	10v	.3		Fil	Fil	5.8	.5		Fil
V3 12DW7		.32	.3	Fil	Fil	3.5	.28		Fil
V4 12AU7	3.8v	3.4		Fil	Fil	38	3.4		Fil
V5 7027A		Fil	250		38		Fil		
V6 7027A		Fil	250		38		Fil		

NOTE: THESE READINGS WERE TAKEN WITH A 10M INPUT IMP VTUM

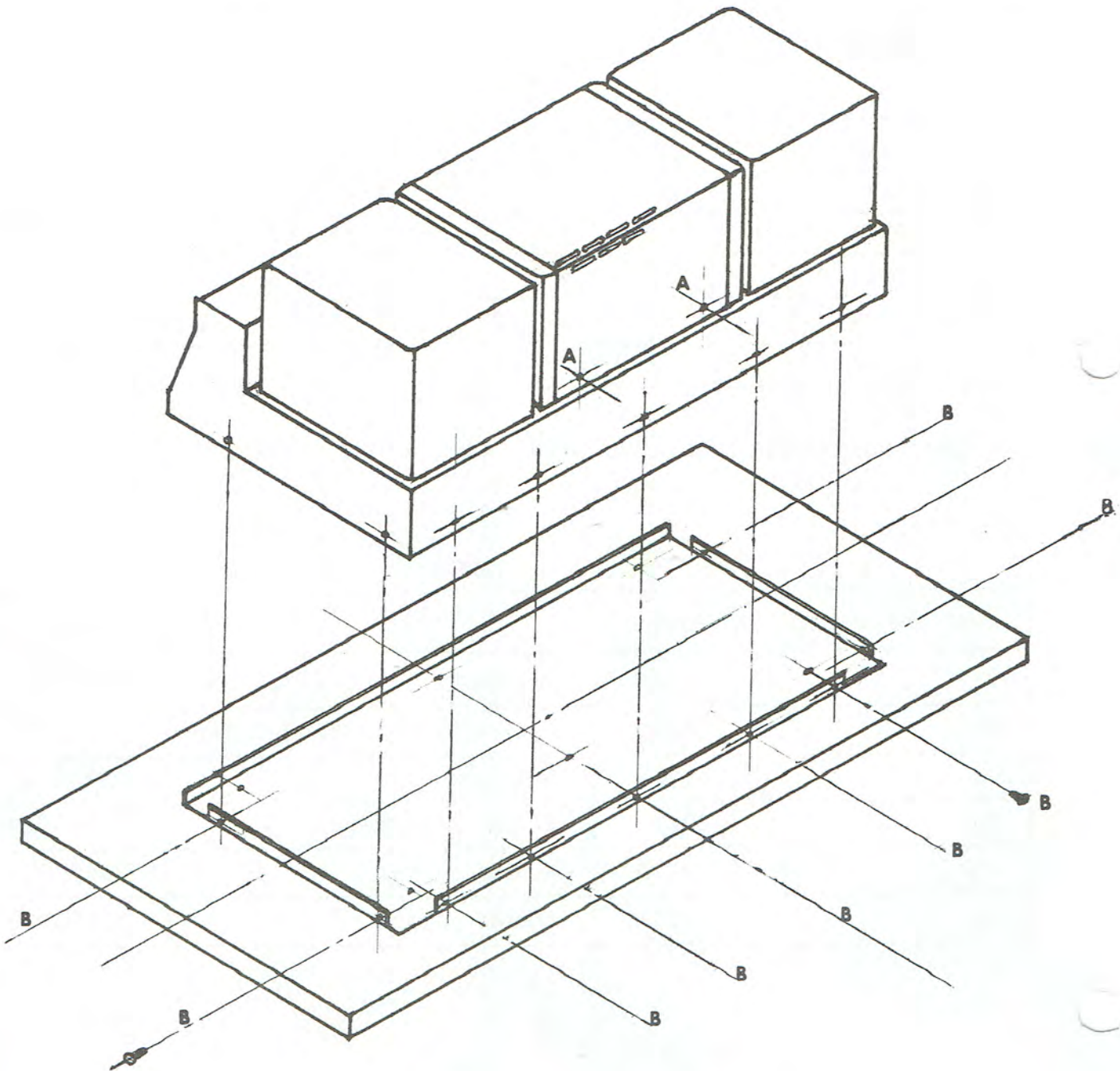
## TUBES

CRKT SYMBOL NO.	TUBE	USE	STOCK NO.
V1	12AX7	Preamplifier Channel One	93700000
V2	12AX7	Preamplifier Channel Two	93700000
V3	12DW7	Driver	93700020
V4	12AU7	Phase Inverter	93700420
V5	7027A	Power Output	93400250
V6	7027A	Power Output	93400250

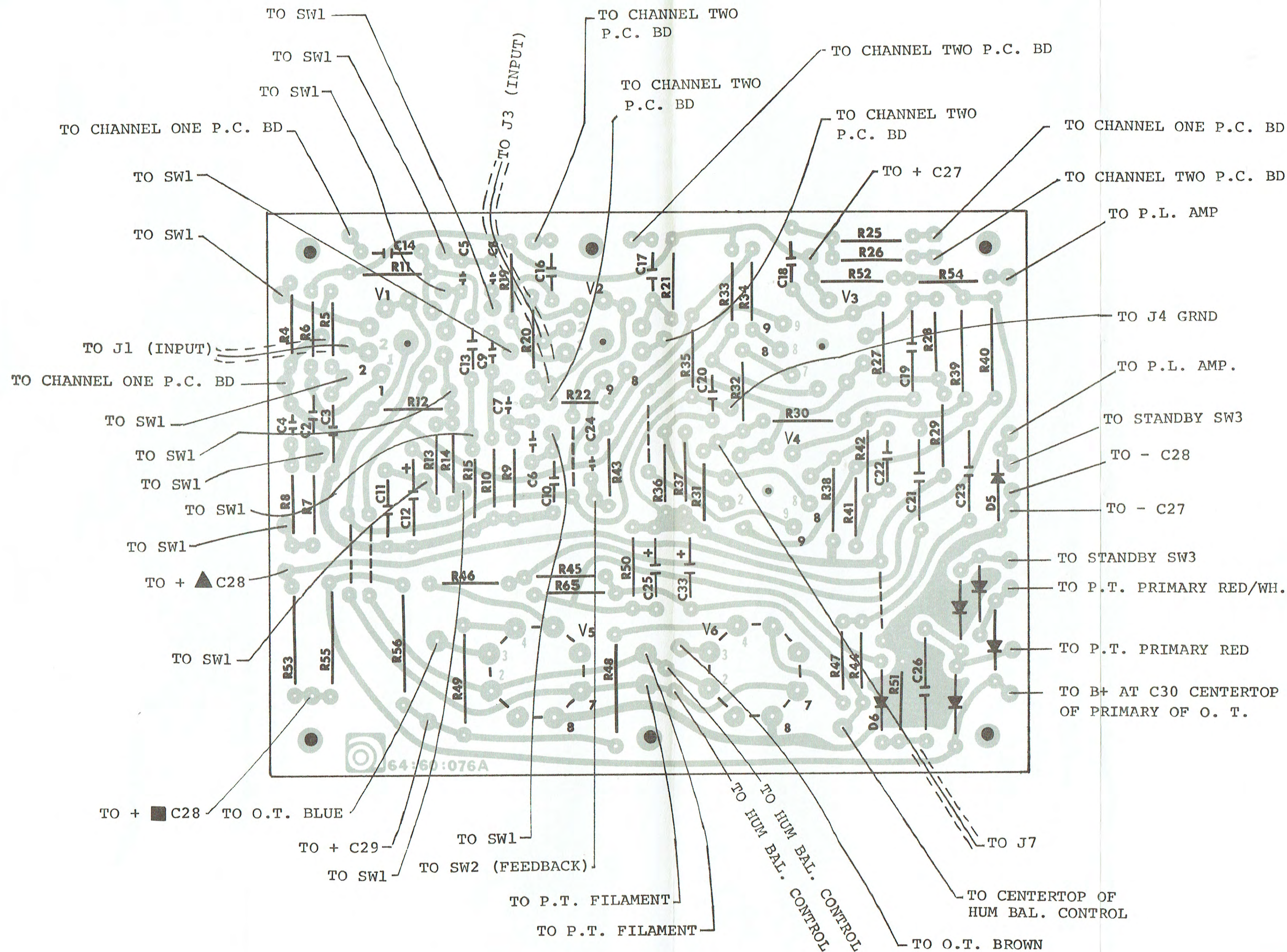
## MECHANICAL DISASSEMBLY

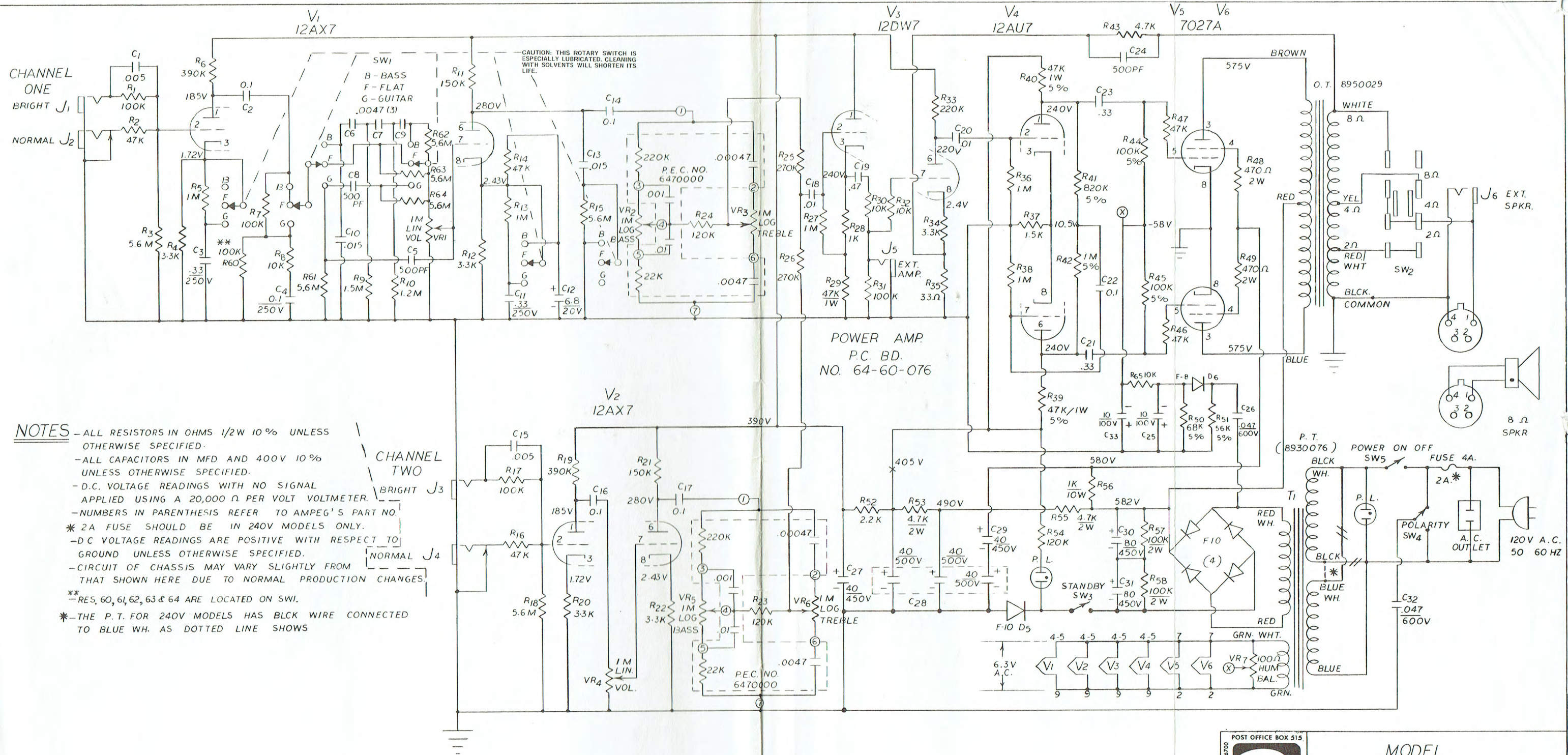
TO REMOVE CHASSIS FROM CHASSIS TRAY FOR SERVICING - UNFASTEN NINE SCREWS MARKED "B" AND LIFT THE FRONT PORTION OF CHASSIS APPROXIMATELY 1/4". IF CHASSIS IS LOCKED IN POSITION USE A WOODEN LEVER ON ONE FRONT CORNER. ONCE CHASSIS IS FREE TO MOVE, LIFT STRAIGHT UP.

TO REMOVE TUBE CAGE FROM CHASSIS UNFASTEN TWO SCREWS MARKED "A" - LIFT AND PULL OUT.

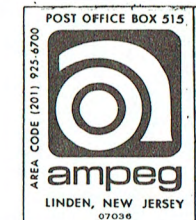








**NOTES** - ALL RESISTORS IN OHMS 1/2W 10% UNLESS OTHERWISE SPECIFIED.  
 - ALL CAPACITORS IN MFD AND 400V 10% UNLESS OTHERWISE SPECIFIED.  
 - D.C. VOLTAGE READINGS WITH NO SIGNAL APPLIED USING A 20,000 Ω PER VOLT VOLTMETER.  
 - NUMBERS IN PARENTHESIS REFER TO AMPEG'S PART NO.  
 \* 2A FUSE SHOULD BE IN 240V MODELS ONLY.  
 - D.C. VOLTAGE READINGS ARE POSITIVE WITH RESPECT TO GROUND UNLESS OTHERWISE SPECIFIED.  
 - CIRCUIT OF CHASSIS MAY VARY SLIGHTLY FROM THAT SHOWN HERE DUE TO NORMAL PRODUCTION CHANGES.  
 \*\* RES. 60, 61, 62, 63 & 64 ARE LOCATED ON SW1.  
 \* - THE P.T. FOR 240V MODELS HAS BLCK WIRE CONNECTED TO BLUE WH. AS DOTTED LINE SHOWS



MODEL B15S  
 U.S. PATENT PENDING

DRN. BY	DATE	DWG. NO.	PART NO.	REV.
S. C.	3-71	06400	40102580	C